

CardioTACS™
In Situ Apoptosis Detection Kit

CardioTACS™
In Situ Apoptosis Detection Kit

Catalog# 4827-30-K

Reagent kit for *in situ* detection of apoptosis in
cardiac tissue sections and cells.

30 samples

Catalog# 4827-30-K

Table of Contents

| | <u>Page</u> |
|--|--------------------|
| I. Quick Reference Procedure | 1 |
| II. Background | 2 |
| III. Precautions and Limitations | 2 |
| IV. Materials Supplied | 2 |
| V. Materials/Equipment Required But Not Supplied | 3 |
| VI. Reagent Preparation | 3 |
| VII. Assay Protocol | 5 |
| VIII. Controls | 11 |
| IX. Data Interpretation | 12 |
| X. Troubleshooting | 12 |
| XI. References | 14 |
| XII. Related Products Available from Trevigen | 14 |
| XIII. Appendices | 15 |

I. Quick Reference Procedure for CardioTACS™ (Cat# 4827-30-K):

Read through the complete *Instructions for Use* prior to using this kit. Some incubation times and washes must be optimized using the controls to maximize labeling. All steps are performed at room temperature unless otherwise noted.

This page is designed to be photocopied and used as a checklist:

- 1. Immerse hydrated, fixed, and immobilized sample in 1X PBS (page 3) for 10 minutes.
- 2. Cover sample with 50 µl of Proteinase K Solution (page 4) for 15-30 minutes, or cover sample with 50 µl of Cytonin™ (page 4) for 30 minutes.
- 3. Wash two times in deionized water, 2 minutes each.
- 4. Immerse sample in Quenching Solution for 5 minutes (page 4)
- 5. Wash sample in 1X deionized water for 1 minute.
- 6. Immerse sample in 1X TdT Labeling Buffer for 5 minutes (page 4).
- 7. Cover sample with 50 µl of Labeling Reaction Mix (page 4). Incubate for 60 minutes at 37°C in a humidity chamber (page 19).
- 8. Immerse sample in 1X TdT Stop Buffer (page 4) for 5 minutes.
- 9. Wash two times in deionized H₂O, 5 minutes each.
- 10. Cover sample with 50 µl of Strep-HRP Solution (page 4), and incubate for 10 minutes in a Humidity Chamber to avoid evaporation (page 19).
- 11. Wash two times in deionized H₂O, 5 minutes each.
- 12. Cover sample with 50 µl of TACS-Blue Label™, and incubate for 2 minutes.
- 13. Wash two times in deionized H₂O, 2 minutes each.
- 14. Immerse in Nuclear Fast Red for 30 seconds.
- 15. Wash slides by dipping in deionized H₂O, 10 times.
- 16. Dip slides ten times each in 95%, then 100% ethanol (page 5) **OR** Air Dry.
- 17. Dip 10 times each in 2 changes of o- or p-xylene (page 5).
- 18. Mount glass coverslips using mounting medium (Cat# 4865-25).

II. Background

Apoptosis is characterized by a number of intracellular phenomena such as membrane blebbing, chromatin condensation and nuclear DNA fragmentation. Detection of nuclear DNA fragmentation is a widely accepted method to assay for apoptosis and can be performed *in situ* by incorporating labeled nucleotides onto the free 3' OH ends of DNA fragments using a terminal deoxynucleotidyl transferase enzyme (TdT). The incorporation of biotinylated nucleotides allows chromosomal DNA fragmentation to be visualized by binding streptavidin-horseradish peroxidase followed by reaction with TACS Blue Label™ to generate a dark blue precipitate. When viewed under a standard light microscope apoptotic cells are clearly distinguished by the dark blue staining.

CardioTACS™ is a reagent kit designed specifically for *in situ* detection of apoptosis in cardiac tissues and cells in culture. Trevigen's **CardioTACS™ *in situ* Apoptosis Detection Kit** provides all the reagents for the detection of DNA fragmentation in cardiac cells and tissue sections, and is supplemented with a cation that specifically enhances the signal in apoptotic cardiac cells. In addition, Trevigen's TACS-Nuclease™ allows positive controls to be generated for each experimental system. CardioTACS™ is ideal for the detection of apoptosis in frozen samples, paraffin embedded cardiac specimens and cells in culture. Trevigen also offers a variety of options and protocols for the detection of apoptosis including alternative chromogens and counterstains for double labeling experiments, 96 well plate formats, and analysis using flow cytometry. Contact Trevigen for information on additional Trevigen products available for the study of apoptosis and cell death.

Please see pages 14-15 for information on additional Trevigen products available for the study of apoptosis.

III. Precautions and Limitations

1. For Research Use Only. Not for use in diagnostic procedures.
2. The physical, chemical and toxicological properties of these products may not yet have been fully investigated therefore Trevigen recommends the use of gloves, lab coats and eye protection while using these chemical reagents. Trevigen assumes no liability for damage resulting from handling or contact with these products.
3. The CardioTACS™ kit contains reagents that are harmful if swallowed or in contact with skin, and irritating to the eyes, respiratory system and skin. In case of contact with eyes, rinse immediately with plenty of water and seek medical advice. Material safety data sheets are available on request.

IV. Materials Supplied

| <u>Component</u> | <u>Amount Provided</u> | <u>Storage</u> | <u>Catalog #</u> |
|-------------------------|------------------------|----------------|------------------|
| Cytonin™ | 5 ml | 4 °C | 4876-05-01 |
| Proteinase K | 30 µl | -20 °C | 4800-30-01 |
| 10X TdT Labeling Buffer | 100 ml | 4 °C | 4810-30-02 |
| 10X TdT Stop Buffer | 100 ml | 4 °C | 4810-30-03 |
| TdT dNTP Mix | 30 µl | -20 °C | 4810-30-04 |
| TdT Enzyme | 30 µl | -20 °C | 4810-30-05 |
| 50X Mn ⁺² | 30 µl | -20 °C | 4810-30-14 |
| Strep-HRP | 30 µl | 4 °C | 4800-30-06 |
| TACS Blue Label™ | 1.5 ml | 4 °C | 4800-30-11 |
| Blue Strep-HRP Diluent | 7.5 ml | 4 °C | 4800-30-12 |
| TACS-Nuclease™ | 15 µl | -20 °C | 4800-30-15 |
| TACS-Nuclease™ Buffer | 1.5 ml | 4 °C | 4800-30-16 |
| Nuclear Fast Red | 50 ml | RT | 4800-30-17 |

V. Materials/Equipment Required But Not Supplied

Equipment

- 1 - 20 µl, 20 - 200 µl, and 200 - 1000 µl pipettors
- 37 °C incubator
- 50 and 500 ml graduated cylinders
- 2 Coplin jars
- 20 °C and 4 °C storage
- ice bucket
- standard light microscope
- cryostat or microtome
- humidity chamber
- 57 °C incubator or slide warmer
- timer

Reagents

- Apoptosis Grade™ Water
- 10X PBS
- 37% Formaldehyde
- o- or p-xylene
- 30% hydrogen peroxide
- 95% and 100% ethanol (or denatured alcohol)
- methanol
- Mounting Medium (Cat# 4865-25) or alternative e.g. Permount

Disposables

- Treated Glass Microscope Slides (or alternative support)
 - 50 ml tubes
 - 1 - 200 µl and 200 - 1000 µl pipette tips
 - microcentrifuge tubes
 - 1.5 and 10 ml serological pipettes
 - gloves
 - Hydrophobic Coverslips (optional)
 - glass coverslips
- Available from Trevigen, Inc. (please see pages 14-15)

VI. Reagent Preparation

Reagents marked with an asterisk (*) should be prepared immediately before use. The volumes given for each reagent are based on processing samples of up to 4 cm² immobilized on glass slides. Different configurations of chamber slides, culture plates, free floating sections, and the use of glass coverslips may require adjustments to the stated volumes.

1. 1X PBS

Please see page 15 for purchase or preparation of 10X PBS. Approximately 500 ml of 1X PBS is used to process 1 to 10 slides. Dilute 10X PBS to 1X using distilled water. Store 1X PBS at room temperature.

2. *3.7% Buffered Formaldehyde

If required, 50 ml of freshly prepared fixative is used to process 1 to 10 samples. To prepare add:

| | |
|--------------------|-------|
| 37% formaldehyde | 5 ml |
| 10X PBS | 5 ml |
| ddH ₂ O | 40 ml |

Wear gloves and exercise caution when handling formaldehyde solutions. Refer to Appendix B (page 16) for alternative fixation methods.

3. *Proteinase K Solution

Use 50 µl of Proteinase K Solution per sample. Store on ice. Thaw provided Proteinase K (Cat# 4800-30-01) at room temperature, then place on ice. To prepare add:

| | <u>2 samples</u> | <u>10 samples</u> | <u>n samples</u> |
|--------------------------------|------------------|-------------------|------------------|
| Deionized water | 100 µl | 500 µl | n x 50 µl |
| Proteinase K (Cat# 4800-30-01) | 2 µl | 10 µl | n x 1 µl |

Under some circumstances, the Proteinase K may be used at a 1:200 dilution. For guidelines please refer to pages 16-17 (Appendices C and D).

4. Cytonin™ (Cat# 4876-05-01)

If required, 50 µl of Cytonin™ is used per sample. Cytonin™ is ready for use. Store at 4 °C. Discard if solution is cloudy.

5. *Quenching Solution

Use 50 ml of Quenching Solution to process 1 to 10 samples. To prepare add:

| | |
|-----------------------|-------|
| Methanol | 45 ml |
| 30% hydrogen peroxide | 5 ml |

Always use fresh 30% hydrogen peroxide. It is recommended that 6 ml aliquots of fresh 30% hydrogen peroxide be made and stored at 4 °C. For each labeling procedure, use a fresh 30% hydrogen peroxide aliquot then discard the unused portion.

6. 1X TdT Labeling Buffer

Dilute the 10X TdT Labeling Buffer (Cat# 4810-30-02) to 1X using distilled water. Leave at room temperature until use. Use 50 ml of 1X Labeling Buffer to process 1 to 10 samples. Remove an aliquot of 50 µl per sample for preparing the *Labeling Reaction Mix* (see below) and place on ice.

7. *Labeling Reaction Mix

Thaw 50X Mn²⁺ (Cat# 4810-30-14) and TdT dNTP Mix (Cat# 4810-30-04) at room temperature, then place on ice. To maintain optimal enzyme activity, remove the TdT Enzyme (Cat# 4810-30-05) tube from freezer only long enough to pipette the required volume. Alternatively, place the TdT Enzyme in a -20°C freezer block. Prepare the Labeling Reaction Mix just before use and keep the prepared reaction mix on ice. Prepare one reaction mix without the enzyme (refer to Section VIII on controls).

Prepare 50 µl per sample in the sequence given below:

| | <u>2 samples</u> | <u>10 samples</u> | <u>n samples</u> |
|--|------------------|-------------------|------------------|
| TdT dNTP Mix (Cat# 4810-30-04) | 2 µl | 10 µl | n x 1 µl |
| 50X Mn ²⁺ (Cat# 4810-30-14) | 2 µl | 10 µl | n x 1 µl |
| TdT Enzyme (Cat# 4810-30-05) | 2 µl | 10 µl | n x 1 µl |
| 1X TdT Labeling Buffer (Step 6) | 100 µl | 500 µl | n x 50 µl |

8. 1X TdT Stop Buffer

Dilute the 10X TdT Stop Buffer (Cat# 4810-30-03) to 1X using distilled water. Leave at room temperature until use. Use 50 ml of 1X TdT Stop Buffer to process 1 to 10 samples.

9. Strep-HRP Solution

Use 50 µl of Strep-HRP Solution per sample. Store prepared Strep-HRP Solution on ice until use. To prepare add:

| | <u>1-16 samples</u> |
|--|---------------------|
| Blue Strep-HRP Diluent (Cat# 4800-30-12) | 800 µl |
| Strep-HRP (Cat# 4800-30-06) | 1 µl |

10. TACS Blue Label™ (Cat# 4800-30-11)

50 µl of TACS Blue Label™ is used per sample. It is provided ready to use. A faint blue coloration may be observed on storage which does not affect stability or activity. Store at 4 °C.

11. *TACS-Nuclease™ and Buffer

For the preparation of a Nuclease-treated control sample, TACS-Nuclease™ may be used directly in the labeling mix (see below) or used diluted in a separate step (please see Section VIII). Avoid repeated freeze-thaw of TACS-Nuclease™. Per positive control prepare:

| | 2 samples | 10 samples | n samples |
|---------------------------------|-----------|------------|-----------|
| TACS-Nuclease | | | |
| Buffer (Cat# 4800-30-16) | 100 µl | 500 µl | n x 50 µl |
| TACS-Nuclease (Cat# 4800-30-15) | 2 µl | 10 µl | n x 1 µl |

Prepare Nuclease Solution just before use and place on ice.

12. Nuclear Fast Red (Cat# 4800-30-17)

The Nuclear Fast Red counterstaining solution is ready for use, and can be reused many times. Store in a closed container to prevent evaporation. If a precipitate is visible, solubilize at 37 °C before use.

13. o- or p-Xylene

Mixed xylenes may be used for deparaffinization and for clarification prior to mounting coverslips onto the samples. Xylenes used for deparaffinization may be reused several times. Xylenes used in deparaffinization should not be used for clarification.

14. 100%, 95%, 70% ethanol

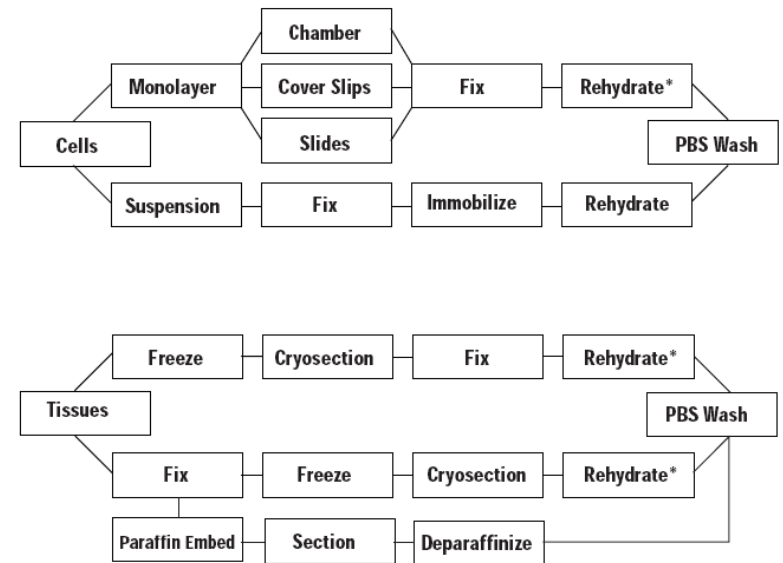
Either 100% (200 proof) or denatured alcohol (90% ethanol, 5% methanol, 5% isopropanol) may be used. Dilute with deionized water to prepare 95% and 70% solutions. Ethanol used for deparaffinization may be reused several times. Ethanol used in deparaffinization should not be used for dehydration.

***These reagents should be prepared immediately before use.**

VII. Assay Protocol

It is important to read through the Instructions before preparing tissue or cell samples for labeling. There are key steps that are very important for successful labeling. This section includes instructions for sample preparation, *in situ* labeling and viewing. The assay protocol for labeling is in tabulated form and details the steps involved in the labeling reaction and in preparing the sample for viewing. Prior to labeling, the samples must be rehydrated, if necessary, and washed in PBS. The labeling procedure begins with samples in PBS regardless of the fixation and immobilization method.

Follow the appropriate flow diagram (below) to determine the correct sequence of steps needed to prepare samples. Details for preparing cells and tissues before labeling are provided in Section VII. A. *Sample Preparation and Fixation* (below). The tissue or cell type, source, storage conditions, facilities and equipment available will help determine which method is most appropriate. In addition, careful consideration of each method's advantages and disadvantages should be made. The Appendix provides alternative preparation methods including analysis by electron microscopy. Contact Trevigen's Technical Service for additional information about other methods not described.



* Rehydration may not be required if samples are not dried.

A. Sample Preparation and Fixation

1. Preparation of Cells in Monolayers

On Sterile Chamber Slides

For optimal outcomes, cells should be grown on a surface that allows for fixation and direct labeling, such as sterile chamber slides. Remove the chamber walls and gasket after fixation. The chamber walls and gasket may be left in place during the labeling reaction if different treatments, e.g. no enzyme and nuclease treatment, are required for adjacent samples on the same slide.

On Sterile Slides

Other cell culture methods include culturing directly on microscope slides. The slides must be sterile and, if necessary, pretreated to ensure cell adhesion. Sterilize microscope slides by autoclaving in a large glass Petri dish. If needed, coat slides with sterile poly-L-lysine or collagen, however, these slide pretreatments may increase background staining. Place sterile microscope slides in culture vessel directly before plating cells.

On Sterile Glass Coverslips

Cells can be cultured directly on sterile coverslips that are placed into a 12- or 24-well tissue culture plate. Sterilize coverslips by autoclaving in a large glass Petri dish. If needed, coat coverslips with sterile poly-L-lysine or collagen, however, these slide pretreatments may increase background staining. Place sterile glass coverslips in wells of tissue culture dishes (12 mm coverslips fit into 24-well tissue culture plates) using fine tipped sterile forceps. Handle only at edges prior to cell plating.

Method

1. Remove media from cells and rinse once with 1X PBS at room temperature.
2. Fix cells for 10 minutes at room temperature in 3.7% buffered formaldehyde.
3. Wash cells one time in 1X PBS. Samples can be stored at this point, using one of

the following methods:

a) Dehydrate the cells by passing through an increasing alcohol series of 70%, 95%, and 100% ethanol for 5 minutes each followed by air drying for 10 minutes. Store at 4 °C with desiccant.

b) Fixed cells can be stored for up to 1 week in Cytonin™ at 4 °C. The samples must be covered to prevent contamination and evaporation. If experimental design dictates a time course extending over several days, storage in Cytonin™ is recommended.

Note: labeling directly after fixation is optimal as the labeling of some samples is less efficient after storage. If possible, a pilot study should be performed to ensure that stored fixed samples can be labeled.

4. Proceed to Labeling Procedure on page 10.

Storage

Labeling directly after fixation is optimal.

Note: The labeling of some samples is less efficient after storage. Empirical determination is required to determine if samples label efficiently after storage.

Two storage methods for fixed samples are provided:

1. Fixed cells can be dehydrated and stored at 4°C with desiccant for several months. After step 3, dehydrate by immersing for 5 minutes each in 70%, 95%, and then 100% ethanol, followed by air drying for 2 hours on a slide warmer at 45°C. Samples that must be prepared weeks or months apart should be stored desiccated. If possible, a pilot study should be performed to ensure that stored fixed samples can be labeled.

2. Fixed cells can be stored for up to 1 week in Cytonin at 4°C after step 3. The samples must be covered to prevent contamination and evaporation. If experimental design dictates a time course extending over several days, storage in Cytonin is recommended.

A.2 Preparation of Tissues

Use of glass slides pretreated for electrostatic adherence is recommended for all tissues (e.g. Trevigen's Treated Glass Microscope Slides, Cat# 4861-72).

a. Preparation of Fresh Frozen Sections

Fresh tissue requires minimal fixation and frozen samples are easily permeabilized for labeling. Some disadvantages include the difficulty in collecting good quality sections, the need to cut thicker sections, and poor retention of morphology. Frozen sections are less resistant to protease treatments and can lift off if not collected onto the appropriately pretreated slides and dried thoroughly. **Samples must be fixed prior to labeling.**

i) Freeze Tissue

Rapidly freeze tissue or biopsy immediately after removal by immersing in liquid nitrogen or on dry ice. Store frozen tissue below -70 °C.

ii) Cryosection Frozen Tissue

Samples may be embedded in a cutting matrix. Position the sample within cutting matrix in a suitable container. Immerse embedded tissue in isopentane chilled on dry ice. Frozen samples may be stored for many months at -80 °C.

Using the cutting matrix, attach the sample to cutting block and equilibrate to the temperature of the cryostat before sectioning. Collect sections between 6-15 µm on glass slides pretreated for electrostatic adherence.

Individual expertise and tissue type will determine the thickness of the sections. Sections between 10-15 µm provide the best results. Sections between 6-9 µm tend to tear during cutting, resulting in rough edges that can increase background staining. Up to 3 sections can be placed per slide; each spaced well apart to prevent reagents from mixing between samples.

iii) Fixation after cryosectioning

Method

1. It is critical to dry the samples thoroughly after sectioning. Dry overnight at room temperature or for at least 2 hours at 45 °C on a slide warmer. Samples can be stored at this point. Store slides at -80 °C with desiccant for up to 3 months. After storage equilibrate samples to room temperature and redry for 2 hours at room temperature or 2 hours on a slide warmer at 45 °C.
2. Rehydrate by immersing for 5 minutes each in 100%, 95%, then 70% ethanol.
3. Wash 2X in 1X PBS for 5 minutes each.
4. Fix samples by immersing in 3.7% buffered formaldehyde for 10 minutes at room temperature.
5. Wash cells 2 times in 1X PBS, 5 minutes each.
6. Proceed to Labeling Procedure on page 10.

b. Preparation of Fixed Samples Before Sectioning – Immersion or Perfusion

i) Fixation

Samples are routinely fixed by immersion or perfusion methods. After fixation, samples are cryosectioned or paraffin embedded. Formaldehyde is the recommended fixative based on laboratory testing. However, other fixatives that maintain DNA integrity may be used. These include other cross linking agents such as paraformaldehyde and glutaraldehyde. Bouin's reagent should be avoided due to the high acidity. If alternative fixatives are used, it is recommended that a pilot study is performed to ensure that the fixative allows for permeabilization and labeling. Regardless of the fixative used, it is important not to fix cells and tissues for extended periods of time.

Immersion Fixation

The fixation time should ensure good cross-linking but prevent tissue from becoming hard and brittle. Some empirical determination of the optimal fixation time may be required. Immerse relatively small pieces of tissue (1 cm³) in at least 10 volumes of 3.7% buffered formaldehyde. After 30 minutes change to fresh fixative and leave at room temperature up to 24 hours. Tissues with high cellularity may require longer fixation times.

Perfusion Fixation

Standard laboratory procedures should be followed for perfusion fixation. Formaldehyde, paraformaldehyde or glutaraldehyde may all be used as fixatives. After 2 hours of perfusion, the dissected tissue should be immersed in fresh fixative for up to 24 hours.

Storage of Fixed Samples

Fixed samples may be stored for long periods. For long term storage, use 70% ethanol or sterile 1X PBS at 4 °C to avoid extended exposure to fixative. Archival material that has been stored in fixative for months or years will be more difficult to permeabilize and may not be useful for *in situ* detection of apoptosis due to DNA degradation.

ii) Sectioning of Fixed Tissue

Cryosection Fixed Tissues

Immerse fixed tissue in 20% sucrose in water at room temperature until the sample sinks. Embed the cryoprotected sample in cutting matrix and freeze. Collect sections of 6-10 µm onto slides pretreated for electrostatic adherence of samples and dried as described in Preparation of Fresh Frozen Sections (previous page). **Note:** When collecting onto slides from buffer use either a low salt buffer or deionized water to ensure that samples adhere to slides.

Storage of Sectioned Tissues and Rehydration after Storage

Sections of fixed frozen tissue may be stored at -80 °C, with desiccant, for up to one month. After storage, the slides should be equilibrated to room temperature (RT) and dried for 2 hours at RT or at 45 °C on a slide drier. Rehydrate samples before labeling by immersing

for 5 minutes each in 100%, 95%, then 70% ethanol and wash for 10 minutes in 1X PBS.

Section Paraffin Embedded Tissues

Paraffin embedding is a routine procedure in many laboratories and is commonly performed by automated equipment. **The temperature of the molten paraffin must not exceed 65 °C**, otherwise additional DNA damage can occur leading to spurious positives and high background.

Sections between 6-10 µm should be collected onto slides pretreated for electrostatic adherence (e.g. Trevigen's Treated Glass Microscope Slides, Cat# 4861-72). Prior to the labeling reaction the samples must be deparaffinized. Optimal labeling is achieved when the samples are processed within days of sectioning.

iii) Deparaffinization

Sections prepared from paraffin blocks require removal of the paraffin prior to the labeling reaction.

Method

1. Warm slides to 57 °C for 5 minutes.
2. Immerse sections in 2 changes of xylenes, 5 minutes each.
3. Immerse sections in 100%, 95% then 70% ethanol, 5 minutes each.
4. Wash 2 times in 1X PBS, 5 minutes each.
5. Proceed to Labeling Procedure below.

Storage

It is preferable to store the uncut paraffin block at room temperature, as opposed to in sections.

Note: The xylenes and ethanols used for deparaffinization can be reused several times (up to 100 slides may be processed in 200 ml) but they must not be used for rehydration of non-embedded samples or for dehydration after performing the labeling reaction.

B. *In Situ* Labeling Procedure

Details on the labeling procedure are provided in the table below.

Labeling Samples on Slides

Wash slides using small Coplin histology jars. Each jar holds up to 50 ml of buffer and up to 10 slides. For procedural steps involving 50 µl per sample, place slides on a flat surface and spot reagent from above using a pipette tip; do not touch the sample with the pipette tip. Small biopsy samples are easily covered with 50 µl. If 50 µl does not cover the sample, Hydrophobic Coverslips (Cat# 4867-100) may be used after pipetting the 50 µl volume. Lower the Hydrophobic Coverslip from one edge and press down gently to expel any air bubbles. Remove Hydrophobic Coverslips by dipping the slide vertically in distilled water.

Labeling Samples in Chamber Slides

Remove chamber walls and gasket after fixation and process as described for slides. Hydrophobic Coverslips may be used for all steps involving 50 µl reaction volumes. If different labeling reactions are performed on samples on the same slide, leave the plastic walls in place until after the labeling reaction, then remove the plastic walls and rubber gasket and proceed as described above.

Labeling Samples on Glass Coverslips

Process the 12 mm glass coverslips with the cell-side facing up in the 24-well tissue culture plate. Wash by filling the wells with buffer and removing with a Pasteur pipette (use a gentle vacuum if available). Spot the 50 µl reaction volumes directly onto the coverslip. Alternatively, spot the 50 µl reaction buffers onto a clean glass slide, then remove 12 mm glass coverslip from the well and flip it over, cell-side down, on top of the reagent. Use fine

tipped forceps and handle glass coverslips only at the very edges. For dehydration and clarification, dip the 12 mm glass cover slips individually in ethanol series and xylenes for 20 seconds.

Note: Xylenes will melt plastics, therefore, do not add xylenes to tissue culture plates.

Labeling Procedure for Immobilized, Fixed, and Rehydrated Samples in 1X PBS

| Step | Instructions | Notes |
|------|---|--|
| 1 | Place samples in 1X PBS for 10 minutes at room temperature after rehydration in ethanols. Carefully dry glass slide around sample. | DO NOT allow sample to DRY at any stage prior to completion of protocol. |
| 2 | Cover sample with 50 µl of Proteinase K Solution and incubate 15 to 30 minutes at room temperature, or cover sample with 50 µl of Cytonin™ and incubate for 30-120 minutes at room temperature or 4 °C. If necessary, use Cover Slips. | Cytonin™ is recommended for frozen sections and when protease treatment will destroy antigens of interest in double labeling experiments. Refer to Section VI, Reagent Preparation. Time of Proteinase K treatment will vary between cell type. Start at 15 minutes and increase if no labeling occurs. |
| 3 | Wash 2 times in deionized water, 2 minutes each. | |
| 4 | Immerse slides in Quenching Solution for 5 minutes at room temperature. | Refer to page 4 for Reagent Preparation. Do not leave longer than 5 minutes since hydrogen peroxide can damage DNA. |
| 5 | Wash samples for 1 minute at room temperature in deionized water to remove peroxide solution. | |
| 6 | Immerse slides in 1X TdT Labeling Buffer for 5 minutes. | Refer to page 4 for Reagent Preparation. |
| 7 | Cover sample with 50 µl of Labeling Reaction Mix and incubate at 37 °C for 1 hour in a humidity chamber. If necessary, use Hydrophobic Coverslips. | Refer to page 4 for Reagent Preparation. Use humidity chamber during incubation time. For details see Appendix F. To generate a positive control using TACS-Nuclease™, add 1 µl of TACS-Nuclease™ to 50 µl of Labeling Reaction Mix and cover sample. Incubate at 37 °C for 1 hour. Refer to page 11 for Controls. |
| 8 | Immerse samples in 1X TdT Stop Buffer for 5 minutes at room temperature to stop labeling reaction. | Refer to page 4 for Reagent Preparation. |
| 9 | Wash samples 2 times in deionized water for 5 minutes each at room temperature. | This step removes unbound conjugate. |
| 10 | Cover sample with 50 µl of Streptavidin-HRP Solution and incubate at room temperature for 10 minutes. If necessary, use Hydrophobic cover slips. | Refer to section VI: <i>Reagent Preparation</i> . Use Blue Strep-HRP Diluent to prepare Streptavidin-HRP solution. |
| 11 | Wash samples in several changes of deionized water for 2 minutes each. | |
| 12 | Cover sample with 50 µl TACS Blue Label™ for 2 to 10 minutes. | Follow color development under the microscope to determine time of incubation. |
| 13 | Wash in several changes of deionized H ₂ O for 2 minutes. | |
| 14 | Proceed to Counterstaining and Preparation for Viewing. | |

C. Counterstaining and Preparation for Viewing

Cells and tissues may be counterstained with Nuclear Fast Red. Glass coverslips can be held in fine tipped forceps and dipped individually into the stains and ethanols. Spot only 25 µl mounting medium onto a clean glass slide and mount the coverslip, cell side down, onto the slide. If a plastic support was used for cell culture do not pass through xylenes.

Method:

1. Immerse samples for 30 seconds to 5 minutes in Nuclear Fast Red.
2. Wash slides sequentially by dipping ten times in deionized water.
3. Air dry or dehydrate by dipping ten times in 95% ethanol.
4. Clarify by dipping ten times, in two changes of o- or p-xylene. Wipe off excess xylene from the back of the slide and lay slide flat.
5. Place one drop, about 25 µl, of mounting media from a 100 µl pipette onto sample.
6. Lower glass cover slip onto sample and apply gentle even pressure to expel air bubbles.
7. Leave slide flat overnight to allow mounting media to harden.
8. Store slides in the dark. Blue Label and Nuclear Fast Red stained samples are stable for 1 year in the dark.

VIII. Controls

If you wish to use a pre-prepared control you may use either the Cell Culture Control Slides (Cat# 4800-30-20) or the Tissue Control Slides (Cat# 4800-30-40). These controls allow you to run through the procedure to become familiar with handling the samples, etc. Each set of Control Slides is shipped with a product information sheet that provides information on the recommended permeabilization method, incubation times, and interpretation of data. It is critical to run controls using the provided TACS-Nuclease™ to assess and optimize cell/tissue permeabilization; the recommended experimental controls are listed below:

TACS-Nuclease™-Treated Control

Treat one sample with TACS-Nuclease™ to generate DNA breaks in every cell. The TACS-Nuclease™-treated control will confirm that the permeabilization and labeling reaction has worked. The information can help optimize the conditions for the labeling procedure. The majority of cells should exhibit pale blue nuclear staining.

Method

For most cells and tissues TACS-Nuclease™ can be added directly to the labeling mix of the positive control sample. Add 1 µl of TACS-Nuclease™ to 50 µl of complete labeling mix and incubate for the regular labeling time. Avoid repeated freeze-thaw cycling of TACS-Nuclease™. Alternatively, if the incubation time with the TACS-Nuclease™ needs to be reduced, use the following method:

1. After treatment with Cytonin™ or Proteinase K Solution, wash 2 times in deionized water, 2 minutes each.
2. Prepare TACS-Nuclease™ Solution:

| | 2 samples | 10 samples | n samples |
|--|-----------|------------|-----------|
| TACS-Nuclease™ Buffer (Cat# 4800-30-16) | 100 µl | 500 µl | n x 50 µl |
| TACS-Nuclease™ (Cat# 4800-30-15) | 2 µl | 10 µl | n x 1 µl |
3. Cover sample with 50 µl of TACS-Nuclease™ Solution.
4. Incubate at 37 °C for 10 to 60 minutes in a humidity chamber. If necessary, use Hydrophobic Coverslips.
5. Wash 2 times in 1X PBS for 2 minutes each.
6. Continue with Step 4, *Labeling Procedure*, page 10.

Unlabeled Experimental Control Sample

The TdT Enzyme should be omitted from the Labeling Reaction Mix for one sample. This control will indicate the level of background labeling (TACS Blue Label) associated with non-specific binding of the Strep-HRP. This control should not have any blue staining.

Experimental Negative Control Sample

An appropriate experimental control should be included in each experiment and will depend upon the system under study. Typically the experimental negative control will be untreated sample, or normal cells/tissues. Many normal or untreated cells and tissues will have a small number of apoptotic cells so a few cells may be positive for blue staining.

Counterstaining Controls

Although uncommon, some cells and tissues may take up excessive amounts of the Nuclear Fast Red counterstain, obscuring the blue TACS blue staining. It is recommended to process one or two samples up to and including the deionized water wash step after the Quenching Step of the Labeling Procedure. Process through counterstaining. Staining times of 2 seconds to 30 minutes have been noted. For most cells and tissues 1 minute is sufficient.

IX. Data Interpretation

Apoptosis is often defined by morphological criteria. Morphological data obtained from standard microscopy and histochemistry should always be considered in conjunction with biochemical assays used to confirm apoptosis.

Nuclear Fast Red allows all cells in the specimen to be visualized. Cells that are condensed (pyknotic, mitotic or apoptotic) will exhibit increased Nuclear Fast Red uptake. Cells containing fragmented nuclear chromatin characteristic of apoptosis will exhibit a blue nuclear staining that may be very dark after labeling. This dark blue staining is typically associated with cell condensation. Blue staining in the cytoplasm as well as the nucleus of enlarged or swollen cells may occur in instances of necrosis. In tissue sections where cells have been torn open during sectioning or the edges of the specimen are ragged there may be non-specific blue staining that is not associated with nuclei.

The Controls listed in Section VIII are important in data interpretation. These Controls allow optimization of *in situ* detection of apoptosis without expending valuable test samples. Under optimal conditions the Unlabeled Control (e.g. enzyme omitted) should show no blue staining, the TACS-Nuclease™ treated sample should show pale blue staining in almost all cells, and the Experimental Negative Control should have less than 10% blue stained cells. The blue staining of TACS-Nuclease™ treated cells is paler and usually more diffuse than the staining of truly apoptotic cells. This is due to the difference in chromatin structure between nuclease treated normal cells and the fragmented chromatin of apoptotic cells. The Counterstain Control should show pale red/pink staining of all cells with some variability in intensity between cell types and darker staining of any condensed cells within that sample. Eosinic cells will take up more Nuclear Fast Red. Refer to the Troubleshooting Guide for information if the Controls do not provide the expected result.

X. Troubleshooting

Rule out major problems by checking the labeling in the control samples first.

| Troubleshooting Guide | | |
|-------------------------------------|---|--|
| Problem | Cause | Action |
| No labeling in experimental sample. | No apoptosis (or necrosis) occurring in sample. | If all controls gave the expected results and were processed at the same time as the experimental sample there may be no DNA fragmentation in cells within the sample. |

| Problem | Cause | Action |
|---|---|---|
| Experimental sample shows extensive cytoplasmic staining. | High rate of cell death, late apoptosis or necrosis. | Necrotic samples will exhibit cytoplasmic staining. Apoptosis in cell culture will progress to necrosis. Reduce time of treatment in cell culture. |
| Blue staining of cells when the TdT enzyme is omitted from the Labeling Reaction Mix. | Endogenous peroxidase activity inadequately quenched. | Use fresh aliquots of 30% hydrogen peroxide. |
| | Excessive peroxidase activity in sample (rare). | Increase concentration of hydrogen peroxide in Quenching Solution to 5%. |
| | Non-specific binding of Strep-HRP conjugate. | Increase number of washes after binding. |
| Sample dried out during the labeling procedure. | | Decrease concentration of Streptavidin by diluting stock solution up to 1 in 1500. |
| | | Use Hydrophobic Coverslips (or lids for plates or chamber slides) and incubate in humidity chamber. |
| | | |
| No staining in TACS-Nuclease™-treated sample. | Poor permeabilization and/or excessive fixation with cross-linking fixative (common with archival tissue) preventing enzyme access. | Increase incubation time with Proteinase K (up to 60 minutes) or Cytonin™ (up to overnight at 4 °C). |
| | No DNA left in sample due to hydrolysis (poor storage of samples or sections). | Read Sample Preparation and Storage of Samples, pages 6-9, prior to labeling. |
| | Excessive (removed all DNA) or inadequate TACS-Nuclease™ treatment. | Optimize time for Nuclease treatment (5 minutes up to 2 hours). |
| | TdT Enzyme is inactive. The enzyme is the most labile component in the kit. | TdT Enzyme must be stored at -20 °C in a manual defrost freezer. Do not bring enzyme up to ice temperature. Place in -20 °C block or remove aliquot from tube directly in freezer. |
| | Mixed xylenes were used during clarification and Blue Label was solubilized. | Use only o- or p-xylene that do not contain contaminating benzenes. |
| Labeling of majority of cells in the negative experimental control (e.g. normal tissue or untreated cells) when there is no labeling if the enzyme is omitted and satisfactory labeling of the Nuclease- treated control. | High level of apoptosis (or necrosis) in negative control. | Select a more appropriate negative control or inhibit apoptosis in cell culture (e.g. with protein synthesis inhibitors). Check morphology of cells prior to assay for evidence of excessive apoptosis. |
| | Prolonged incubation with Blue Label leads to a precipitate over entire sample. | Reduce time in Blue Label and follow color development under the microscope. |
| | Excessive Proteinase K treatment | Reduce incubation time in Proteinase K solution to 5-15 minutes. Or dilute Proteinase K 1:200 in water and incubate sample for 15 minutes. |

| Problem | Cause | Action |
|---------------------------|--------------|----------------------------------|
| Intense Red Counterstain. | Overstaining | Reduce time in Nuclear Fast Red. |

XI. References

1. Apoptosis: the molecular basis of cell death. Current communications in cell and molecular biology, Vol 3. Ed. L. D. Tomei and F. O. Cope (1991) Cold Spring Harbor Laboratory Press, New York.
2. Apoptosis II: the molecular basis of apoptosis in disease. Current communications in cell and molecular biology, Vol 8. Ed. L. D. Tomei and F. O. Cope (1994) Cold Spring Harbor Laboratory Press, New York.
3. Brunstrom, J.E., M.R. Gray-Swain, P.A. Osborne and A.L. Peariman (1997) Neuronal Heterotopias in the Developing Cerebral Cortex produced by Neurotrophin-4. *Neuron* **18**:505-517.
4. Dakhama, A. R.G. Hegele (1996) A nonradioactive method for rapid and sensitive detection of polymerase chain reaction products by use of bromodeoxyuridine. *Modern Pathology* **9**: 849-853.
5. Gavrieli, Y., Y. Sherman, S.A. Ben-Sasson (1992) Identification of programmed cell death *in situ* via specific labeling of nuclear DNA fragmentation. *J. Cell Biol.* **119**:493-501.
6. Gratzner, H.G. (1982) Monoclonal antibody to 5-bromo and 5-iododeoxyuridine. A new reagent for detection of DNA replication. *Science* **218**:474.
7. Kerr, J.F., G.C. Gobe, C.M. Winterford and B.V. Harmon (1995) Anatomical methods in cell death. *Methods in Cell Biology* **46**:1-27.
8. Negoescu, A. et al., *In situ* apoptotic cell labeling by the TUNEL method: improvements and evaluation on cell preparation. (1996) *J. Histochem. Cytochem.* **44**: 959-968.
9. Shi, S.-R., R.J. Cote, L.L.Young and C.R. Taylor (1997) Antigen retrieval immunohistochemistry: practice and development. *J. Histotechnology* **20**:145-154.
10. Yamawaki, M., A. Zurbriggen, A. Richard and M. Vandeveld (1993) Saponin treatment for *in situ* hybridization maintains good morphological preservation. *J. Histochem. Cytochem.* **41**:105-109.

XII. Related products available from Trevigen.

| Catalog # | Description | Size |
|------------|---|-------------|
| 4817-60-K | FlowTACS™ Kit | 60 samples |
| 4822-96-K | HT TiterTACS™ Assay Kit | 96 tests |
| 4830-01-K | TACS® Annexin V FITC Kit | 100 samples |
| 4835-01-K | TACS® Annexin V Biotin Kit | 100 samples |
| 6300-100-K | DePsipher™ Mitochondrial Potential Assay Kit | 100 tests |
| 6305-100-K | MitoShift™ Mitochondrial Potential Assay Kit | 100 tests |
| 4815-30-K | TumorTACS™ <i>In Situ</i> Apoptosis Detection Kit | 30 samples |
| 4823-30-K | NeuroTACS™ <i>In Situ</i> Apoptosis Detection Kit | 30 samples |
| 4829-30-K | DermaTACS™ <i>In Situ</i> Apoptosis Detection Kit | 30 samples |
| 4826-30-K | VasoTACS™ <i>In Situ</i> Apoptosis Detection Kit | 30 samples |
| 4828-30-DK | TACS•XL® DAB <i>In Situ</i> Apoptosis Detection Kit | 30 samples |
| 4828-30-BK | TACS•XL® Blue Label <i>In Situ</i> Apoptosis Detection Kit | 30 samples |
| 4810-30-K | TACS® 2 TdT DAB <i>In Situ</i> Apoptosis Detection Kit | 30 samples |
| 4811-30-K | TACS® 2 TdT Blue Label <i>In Situ</i> Apoptosis Detection Kit | 30 samples |
| 4812-30-K | TACS® 2 TdT Fluorescein Apoptosis Detection Kit | 30 samples |
| 4850-20-ET | TACS® Apoptotic DNA Laddering Kit EtBr | 20 samples |
| 4855-20-K | TACS® Apoptotic DNA Laddering Kit Chemiluminescent | 20 samples |
| 4857-20-K | TACS® Apoptotic DNA Laddering Kit Colorimetric | 20 samples |
| 4850-20-K | TACS® Apoptotic DNA Laddering Kit Isotopic | 20 samples |
| 4892-010-K | Cultrex® Calcein-AM Cell Viability Kit | 1000 tests |
| 4684-096-K | HT Colorimetric PARP Apoptosis Assay | 96 samples |
| 4685-096-K | HT Chemiluminescent PARP Apoptosis Assay | 96 samples |

Antibodies

| Catalog # | Description | Size |
|--------------|--|-------------|
| 4411-PC-100 | Anti-Phosphorylated Histone- γ -H2AX polyclonal | 100 μ l |
| 2291-MC-100 | Anti-human-Bcl-2 mAb (clone YTH-8C8) | 100 μ g |
| 2281-MC-100 | Anti-human-Bax mAb (clone YTH-6A7) | 100 μ g |
| 6361-PC-100 | Anti-human/mouse-PBR polyclonal | 100 μ l |
| 6370-MC-100 | Anti-human/murine-Cytochrome C | 100 μ g |
| 6380-MC-100 | Anti-human/murine-Holocytochrome C | 100 μ g |
| 4335-MC-100 | Anti-PAR polymer mAb (10HA) | 100 μ l |
| 4336-BPC-100 | Anti- PAR polymer polyclonal | 100 μ l |
| 4338-MC-50 | Anti-human/murine-PARP mAb (clone C2-10) | 50 μ g |

Accessories

| Catalog # | Description | Size |
|-------------|--|------------|
| 4800-30-40 | Tissue Control Slides | 2 ea. |
| 4800-30-20 | Cell Culture Control Slides | 2 ea. |
| 4864-100 | Treated Glass Microscope Slides w/3 sample Hydrophobic Barrier | 100 ea. |
| 4867-100 | Hydrophobic Coverslips | 100 ea. |
| 4862-10 | Coverslips 24 x 60 mm, No. 1.5 | 2 ea. |
| 4865-25 | Mounting Medium | 10 x 1 oz. |
| 4800-30-14 | Strep-Fluorescein | 30 μ l |
| 4830-100-03 | Propidium Iodide | 30 μ l |
| 4870-500-6 | 10X PBS | 6 x 500 ml |
| 4869-500-6 | Apoptosis Grade™ H ₂ O | 6 x 500 ml |
| 4820-30-13 | Blue Counterstain | 50 ml |
| 4878-05-02 | Cytonin™ IHC | 2 x 5 ml |

XIII. Appendices

Appendix A. Reagent and Buffer Composition

10X PBS, pH 7.4 (Cat# 4870-500-6) – Sold Separately:

75 mM disodium hydrogen phosphate (Na₂HPO₄)
25 mM sodium dihydrogen phosphate (NaH₂PO₄)
1.45 M sodium chloride (NaCl)

Apoptosis Grade™ Water (Cat# 4869-500-6) – Sold Separately:

Deionized (18 m Ω) sterile water
Distilled autoclaved water can be used

Cytonin™ (Cat# 4876-05-01):

Proprietary permeabilization and blocking agent

Proteinase K (Cat# 4800-30-01)

1 mg/ml proteinase K

10X TdT Labeling Buffer (Cat# 4810-30-02):

1 M TACS Safe-TdT™ Buffer
0.5 mg/ml BSA (RIA Grade)
0.6 mM 2-mercaptoethanesulfonic acid (MESNA)

10X TdT Stop Buffer (Cat# 4810-30-03):

0.1 M EDTA, pH 8.0

TdT-dNTP Mix (Cat# 4810-30-04):

0.25 mM Biotinylated dNTPs

50X Manganese cation (Cat# 4810-30-14):

20 mM manganese cation

TACS-Blue Label™ (Cat# 4800-30-11):

Proprietary reagent

TACS-Nuclease™ (Cat# 4800-30-15):

Proprietary endonuclease. Avoid repeated freeze-thaw.

TACS-Nuclease™ Buffer (Cat# 4800-30-16):

50 mM Tris-Cl, pH 8.0
1 mM magnesium chloride
100 μ g/ml BSA

Blue Strep-HRP Diluent (Cat# 4800-30-12):

Proprietary reagent

Nuclear Fast Red (Cat# 4800-30-17):

5% aluminum sulfate
0.1 % Nuclear Fast Red

Appendix B. Fixation Methods

There are several fixation methods commonly used that are appropriate for the protocol described in the *Instructions for Use*. Formaldehyde is the recommended fixative based on laboratory testing. However, other fixatives that maintain DNA integrity may be used. These include other cross linking agents such as paraformaldehyde and glutaraldehyde. Bouin's fixative should be avoided due to the picric acid content. Regardless of the fixative used, it is important not to fix cells and tissues for extended periods of time. Your fixation method will likely be dictated by immunocytochemistry protocols in double labeling experiments (see Appendix D: Double Labeling Hints and Tips, page 17).

To store the immobilized fixed cells, i.e. on slides, chamber slides or cover-slips, cover with Cytonin™ at 4 °C for up to one month. After storage, wash in 1X Labeling buffer then continue with the labeling reaction. **Note:** If cells are fixed using alcohol, e.g. ethanol, there will be leakage of small DNA fragments from apoptotic cells during storage and labeling intensity of apoptotic cells will be reduced.

Appendix C. Suggestions for Assay Optimization

The table below shows examples of conditions that have been used for labeling the tissues listed and acts as a guide only. Actual incubation times and the permeabilization method selected will require empirical determination for optimal results. When using paraffin-embedded sections, permeabilization is often a limiting step, therefore, start with a 1:50 dilution of proteinase K for permeabilization at 37 °C for 15 minutes. If background is high, reduce the proteinase K concentration and incubation time and temperature. If insufficient permeabilization is suspected, incubate the sample with a 1:50 dilution of proteinase K at 37 °C for 30 minutes. When using fresh frozen sections, nominal permeabilization is required, therefore, start with Cytonin™ for permeabilization. If there is no labeling, permeabilize with proteinase K at 1:200 for 15 minutes at 37 °C.

Appendix D. Double Labeling Hints and Tips

The *in situ* labeling protocol described here is useful for double labeling experiments when the occurrence of apoptosis can be correlated with cellular antigens against which antibodies are available. **Note:** The antibody must recognize the fixed form of the antigen of interest.

The key to double labeling experiments is determining fixation and permeabilization conditions under which both antigen and DNA integrity is maintained. Appropriate fixatives for DNA labeling are provided in Appendix B (page 16). Post-treatments used in immunocytochemistry to permeabilize or expose antigenic determinants include treatment with proteases, acid or base, detergent and microwaving. Permeabilization with Cytonin™ IHC (Cat# 4878-05-02) may be sufficient for many antibodies and additional treatment may not be needed. Protease treatment is not recommended on most samples because the sample will often disintegrate later during immunocytochemistry or DNA labeling. Strong acid or base treatment should be avoided. Microwaving is an option that has given excellent results in double labeling experiments but requires careful empirical determination for correct wattage, time and cooling cycles for each sample.

Empirically determine optimal conditions for immunohistochemistry and *in situ* detection of apoptosis in separate experiments first. Combine the two methodologies only after optimizing separately on the same samples. Plan carefully and include controls to allow interpretation of double labeled samples. Controls for immunohistochemistry may include omission of primary antibodies to determine binding of the secondary antibody. In addition, blocking the primary antibody binding site with antigens may establish and demonstrate specificity.

A standard immunohistochemistry protocol is provided for using phosphatase-conjugated secondary antibody and color development with Red Label Solution. Antibody concentrations, incubation times and temperatures and buffers may have to be optimized empirically for each system under study. **Note:** Phosphatase-conjugated reagents are inhibited by PBS or other phosphate-containing buffers. Tris buffers should be substituted for PBS.

Method

1. After fixation, permeabilize with Cytonin™ IHC at room temperature for 1 hour. Use Hydrophobic Coverslips and a humidity chamber (below) to prevent evaporation.
2. Wash 1 time in 100 mM Tris, pH 7.4.
3. Incubate at 4 °C overnight with primary antibody diluted in Cytonin™ IHC. Use Hydrophobic Coverslips and a humidity chamber to prevent evaporation.
4. Wash 3 times in 100 mM Tris, pH 7.4.
5. Incubate with phosphatase-conjugated secondary antibody diluted in Cytonin™ IHC at room temperature for 1 hour.
6. Wash 3 times in 100 mM Tris pH 7.4.
7. Prepare Red Label Solution:
 - a. To a new microtube add 50 µl of deionized water and 5 µl of Red Label Solution 1.
 - b. To a new microtube add 1 µl each of Red Label Solution 2 and Red Label Solution 3, tap microtube to mix. Centrifuge briefly and let stand for 3 minutes at room

| | Cytonin™ | Pro K (1:50) | Pro K (1:200) |
|-----------------------------|----------|--------------|---------------|
| Brain | * | * | * |
| Heart | * | * | * |
| Lung | * | * | * |
| Liver | * | * | * |
| Kidney | * | * | * |
| Spleen | * | * | * |
| Duodenum | * | * | * |
| Colon | * | * | * |
| Small Intestine | * | * | * |
| Large Intestine | * | * | * |
| Skin | * | * | * |
| Bone/Cartilage | * | * | * |
| Tumor | * | * | * |
| Epithelium | * | * | * |
| Endothelium | * | * | * |
| Cultured Cells (stored dry) | * | * | * |
| Cultured Cells (fresh) | * | * | * |

8. Cover sample with Prepared Red Label Solution and incubate for up to 30 minutes in the dark.
9. Wash in deionized water 3 times to stop reaction.
10. Proceed with *in situ* detection beginning with Quenching Solution step on page 10.

Many options are available for double labeling experiments. If the antigen is nuclear, carefully select the detection label and counterstains. Labeling nuclear antigens means the signal from the DNA labeling and immunocytochemistry will be in the same subcellular compartment and one signal may obscure the other. Similarly, many counterstains are not compatible with some color reaction products, e.g. Methyl Green cannot be used with Red Label. Some options are listed below:

- If a peroxidase-linked secondary antibody is preferred, use Quenching Solution prior to incubation with primary antibody and again prior to *in situ* detection of apoptosis. DAB Solution may be used for color reaction if alternative peroxidase based color development is used for detection of apoptosis.
- The Strep-HRP may be replaced with a streptavidin-phosphatase conjugate and developed using a phosphatase-based system such as Red Label.
- Similarly, fluorescent streptavidin conjugates and secondary antibodies may be used for a fluorescent read-out.

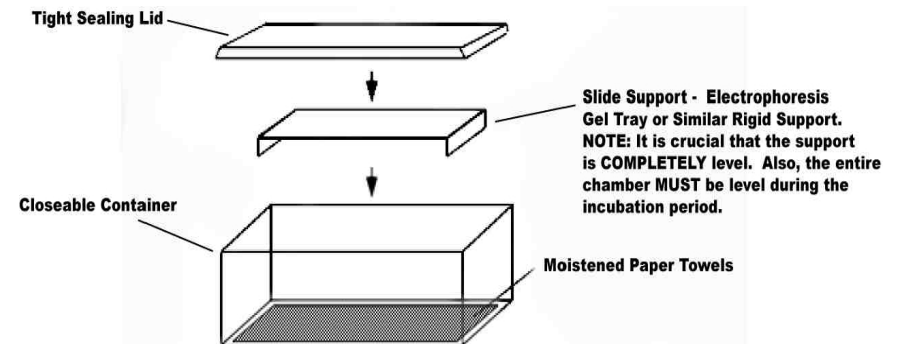
Appendix E. Electron Microscopy

The protocol given here can be adapted for electron microscopy. Both pre- and post-embedding labeling can be performed depending upon the system under study. For pre-embedding, fix sample and post-fix in osmium. After embedding and ultrathin sectioning, process sample for DNA labeling up to and including the washes of the labeling procedure prior to incubation with streptavidin. For detection of incorporated biotin use streptavidin conjugated to colloidal gold and incubate overnight at 4 °C. Stain with uranyl acetate.

For some samples post-embedding may be more convenient. Use fixed floating sections and process for *in situ* labeling up to and including the washes in the labeling procedure prior to streptavidin binding. Incubate in streptavidin conjugated to colloidal gold overnight at 4 °C. Wash, then proceed with standard embedding procedure and ultra thin sectioning. Contact Trevigen, Inc. for more details.

Appendix F. Humidity Chamber

To prevent evaporation it is recommended that incubations at 37 °C are carried out in a humidity chamber. A humidity chamber can be made using a plastic box with a tight fitting lid and two glass rods or other support. Place paper towel on the bottom of the box and wet thoroughly with water. Lay the glass rods parallel to each other and less than one slide length apart on the wet tissue. Position the slides on the glass rods and place the plastic box, with lid, in a 37 °C incubator. Ensure that the slides are horizontal.



**The product accompanying this document is intended
for research use only and is not intended for
diagnostic purposes or for use in humans.**

Trevigen, Inc.

8405 Helgerman Ct. Gaithersburg, MD 20877

Tel: 1-800-873-8443 • 301-216-2800

Fax: 301-560-4973

e-mail: info@trevigen.com

www.trevigen.com



Please
Recycle